



 **ZORAKI**<sup>®</sup>

# HY-01 SPRING



## HY-01

## SPRING

### SINGLE PUMP SPRING PISTOL TECHNICAL SPECIFICATIONS

- Single shot
- Single strok
- New technology, double spring system
- Power storage system set up by spring when upper frame opened and closed
- Opening and closing of upper frame store the power in both way with minimum effort and gain maximum energy technology
- Automatic trigger safety
- Right and Left - Up and Down adjustable rear sight.
- Polymer frame with steel plate backed
- Plastic orthopedic grip with ergonomic design
- Recoil free shooting
- Rail for laser, binoculars, 'red dot' or any weight scope
- Rifled steel barrel & high corrosion resistance
- Elegant carrying case with allen key
- Cleaning rod, and oil

**CAL.:** 177-22 (4.5-5.5mm.)

**Length:** 336 mm.

**Height:** 179 mm.

**Width:** 50 mm.

**Grip Width:** 51 mm.

**Weight:** 1500 gr.

**Safety Distance:** 350 m.

**Number of Rifled:** Set 12

**Steel Barrel Length:** 295 mm.

**Maximum Energy** 7.5 joule cal. 4.5 mm 0.48 gr.

**Muzzle Velocity:** 170 m/s 0.48 gr.



 ZORAKI®



   - [www.atakarms.com](http://www.atakarms.com)



2914



2914

#### TECHNICAL SPECIFICATIONS

- Semi Automatic - Double Action
- Mechanism lock by side button when out of cartridge
- Magazine release button at the side
- Hardened steel reinforced cock
- Hardened steel shell launcher and puller extractor
- Steel-reinforced zinc alloy mechanism (slide)
- Capability to shoot firework and signal flare
- New ergonomic grips design.

**Caliber:** 9 mm. P.A.K.

**Barrel Length:** 85 mm.

**Overall Length:** 159 mm.

**Height:** 125 mm.

**Width:** 35 mm.

**Magazine Capacity:** 14+1

**Unloaded Weight:** 735 gr.

**Loaded Magazine Total Weight:** 815 gr.

**Number of Component:** 47 pcs.

**Ambient Operating Temperature:** -15°... +50°

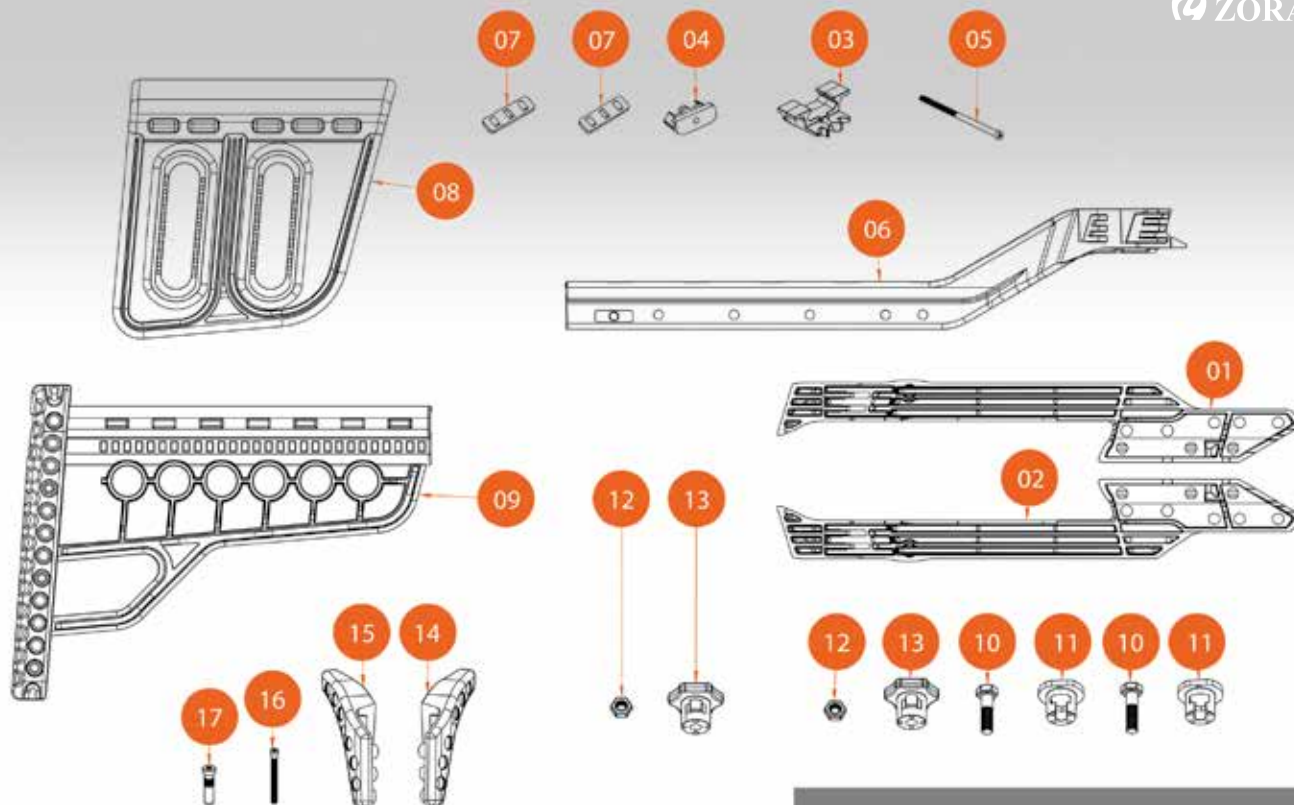




📷 📱 📺 - [www.atakarms.com](http://www.atakarms.com)

**ZORAKI®**

# HP01-2 LIGHT & ULTRA MODULAR STOCK



## HP-01 - HP01-2

- Modular Stok for HP-01 & HP01-2
- Polymer frame
- Easy to install with one key
- Possibility to use left and right (single) cheek kit without disassemble
- Adjustable cheek kit, approximately 50 mm. up & down
- Adjustable cheek kit, approximately 75 mm. backwards & forwards in three stage
- Adjustable shoulder kit, approximately 100 mm. up & down
- Adjustable length of stok, approximately 80 mm. backwards & forwards according to shooter arms length
- Special key for assembly
- User's guide support

## HP01-2

### LIGHT & ULTRA

### MODULAR STOCK